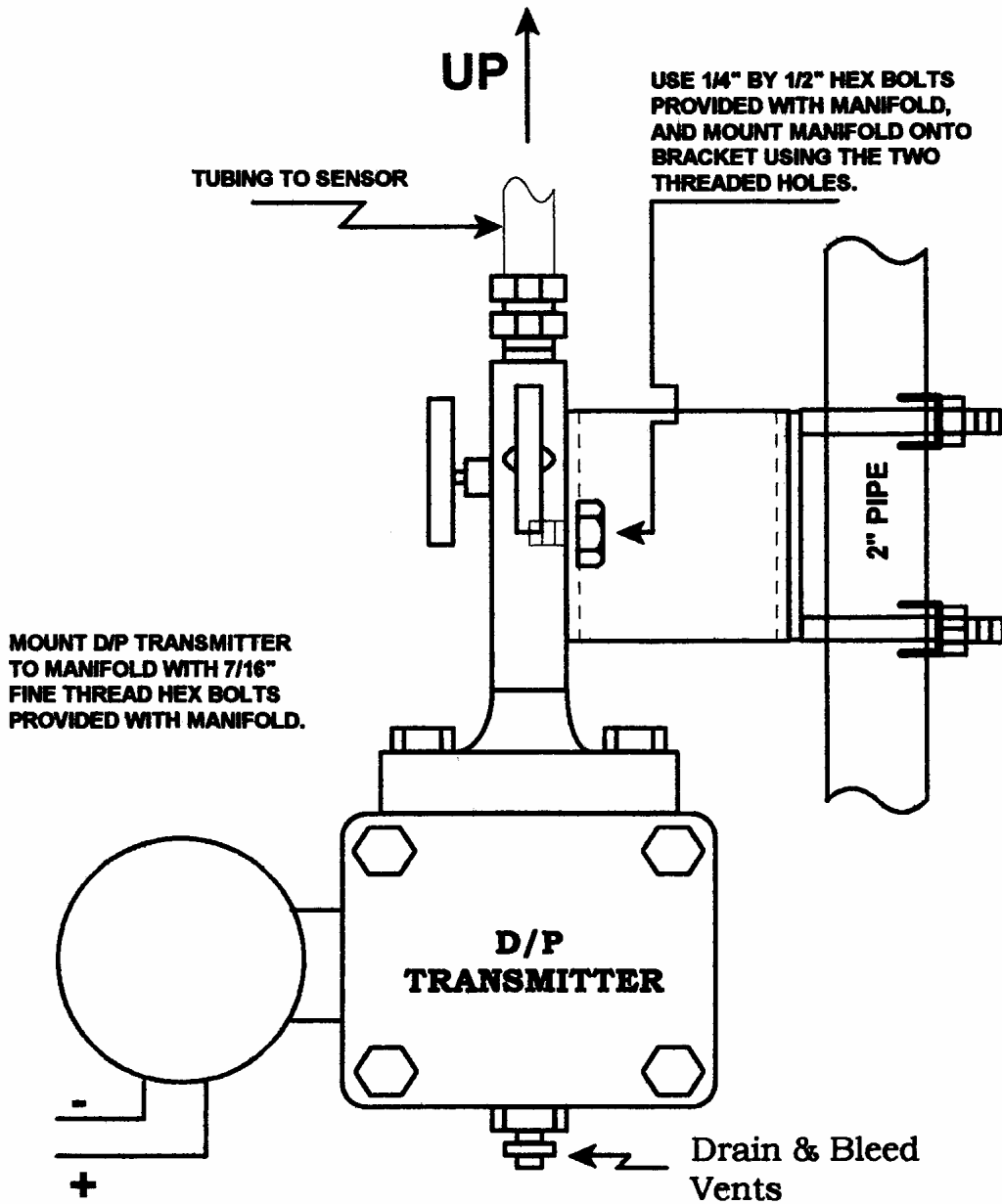


# 2" Pipe Mounting Bracket for the D/P Transmitter & Three-valve Manifold for Liquid & Steam Service



**NOT DRAWN TO SCALE**